

For Office Use Only

SURVEYS OF CONSUMERS



The University of Michigan
Survey Research Center
Institute for Social Research

APRIL 2006

1. Coversheet ID #'s:

2				
---	--	--	--	--

REINTERVIEW
OCTOBER 2005

--	--	--	--	--

RDD ID NUMBER

2.

--	--	--

RESPONDENT'S
AREA CODE

3. Interviewer's ID No. _____

4. Date IW Began _____

5. Date IW Completed _____

6. Length of IW _____ (Minutes)

7. Length of Edit _____ (Minutes)

8. Supervisor's ID No. _____

9. Coders' ID No. _____

10. INTERVIEWER CHECKPOINT:

<u>COMPLETE:</u>	
<input type="checkbox"/>	1. IW COMPLETED WITH <u>NO</u> INTERRUPTION REQUIRING CALLBACK
<input type="checkbox"/>	2. IW COMPLETED WITH ONE OR MORE INTERRUPTIONS REQUIRING CALLBACK
<u>PARTIAL:</u>	
<input type="checkbox"/>	3. BREAKOFF BEFORE SECTION E
<input type="checkbox"/>	4. BREAKOFF DURING SECTION E
<input type="checkbox"/>	5. BREAKOFF AFTER SECTION E

11. INTERVIEWER CHECKPOINT:

<input type="checkbox"/>	1. COVERSHEET IS RDD
<input type="checkbox"/>	2. COVERSHEET IS RECONTACT

12. INTERVIEWER CHECKPOINT:

INTERVIEW LANGUAGE:	
<input type="checkbox"/> 1. ENGLISH	<input type="checkbox"/> 2. SPANISH

THE FOLLOWING STATEMENT MUST BE READ TO ALL RESPONDENTS:

This interview is confidential and completely voluntary--if we should come to any question that you don't want to answer, just let me know and we'll go on to the next question.

T1. Did R provide any information not already recorded in the interview or in a marginal note about changes which may have occurred to R or family members during the past year in any of the following:

a. job status? NO YES -> SPECIFY: _____

b. health? NO YES -> SPECIFY: _____

c. living arrangements? NO YES -> SPECIFY: _____

d. finances? NO YES -> SPECIFY: _____

f. other changes? NO YES -> SPECIFY: _____

T2. Please describe any ambiguous or conflicting situation that you want coding to know about:

NONE _____

T3. Were there any serious problems with the interview, such as R's difficulty in hearing or understanding the questions, etc., which affected the quality of the interview?

NONE _____

SECTION A

- A2. We are interested in how people are getting along financially these days. Would you say that you (and your family living there) are better off or worse off financially than you were a year ago?

1. BETTER NOW

3. SAME

5. WORSE

8. DON'T KNOW

A2a. Why do you say so? (Are there any other reasons?) _____

- A3. Now looking ahead--do you think that a year from now you (and your family living there) will be better off financially, or worse off, or just about the same as now?

1. WILL BE
BETTER OFF

3. SAME

5. WILL BE
WORSE OFF

8. DON'T KNOW

- A4. Now turning to business conditions in the country as a whole--do you think that during the next 12 months we'll have good times financially, or bad times, or what?

1. GOOD TIMES

2. GOOD WITH QUALIFICATIONS

3. PRO-CON

4. BAD WITH QUALIFICATIONS

5. BAD TIMES

8. DON'T KNOW

- A5. Would you say that at the present time business conditions are better or worse than they were a year ago?

1. BETTER NOW

3. ABOUT THE SAME

5. WORSE NOW

2

A6. During the last few months, have you heard of any favorable or unfavorable changes in business conditions?

YES



NO; HAVEN'T HEARD

GO TO A7

A6a. What did you hear? (Have you heard of any other favorable or unfavorable changes in business conditions?)

IF NOT CLEAR WHETHER A CHANGE IS FAVORABLE OR UNFAVORABLE, PROBE: "Would (MENTION CHANGE) be favorable or unfavorable?" AND NOTE "FAVORABLE" OR "UNFAVORABLE."

A7. And how about a year from now, do you expect that in the country as a whole business conditions will be better, or worse than they are at present, or just about the same?

1. BETTER A YEAR FROM NOW

3. ABOUT THE SAME

5. WORSE A YEAR FROM NOW

- A8. Looking ahead, which would you say is more likely--that in the country as a whole we'll have continuous good times during the next 5 years or so, or that we will have periods of widespread unemployment or depression, or what?

IF R ANSWERS IN COMPARATIVE TERMS, I.E., "BETTER," "WORSE," OR "SAME," PROBE: "Would that be good times or bad times?"

- A9. As to the economic policy of the government--I mean steps taken to fight inflation or unemployment--would you say the government is doing a good job, only fair, or a poor job?

1. GOOD JOB

3. ONLY FAIR

5. POOR JOB

8. DON'T KNOW

- A10. How about people out of work during the coming 12 months--do you think that there will be more unemployment than now, about the same, or less?

1. MORE UNEMPLOYMENT

3. ABOUT THE SAME

5. LESS UNEMPLOYMENT

- A11. No one can say for sure, but what do you think will happen to interest rates for borrowing money during the next 12 months--will they go up, stay the same, or go down?

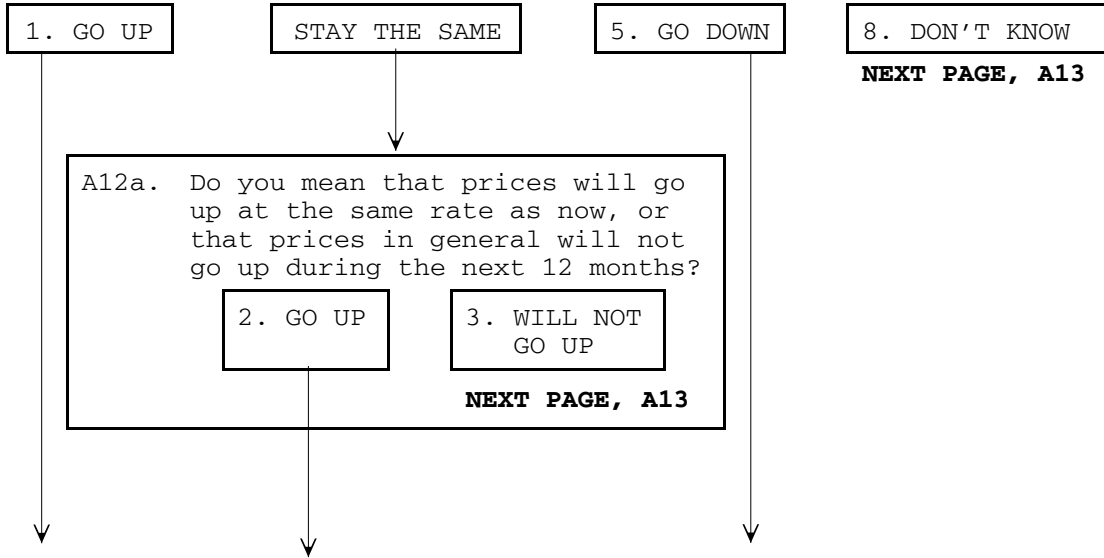
1. GO UP

3. STAY THE SAME

5. GO DOWN

8. DON'T KNOW

A12. During the next 12 months, do you think that prices in general will go up, or go down, or stay where they are now?



A12b. By about what percent do you expect prices to go (up/down) on the average, during the next 12 months? (USE PROBE BELOW IF ANSWER IS GREATER THAN 5%)

_____PERCENT DON'T KNOW

NEXT PAGE, A13

A12c. (AFTER A DON'T KNOW RESPONSE IS PROBED, IF R SAYS, "I DON'T KNOW", USE THE FOLLOWING PROBE:) (USE PROBE BELOW IF ANSWER IS GREATER THAN 5%)

How many cents on the dollar do you expect prices to go (up/down) on the average, during the next 12 months?

_____CENTS ON DOLLAR 98. DON'T KNOW

IF R GIVES AN ANSWER THAT IS GREATER THAN 5%, PLEASE PROBE WITH:

"Let me make sure I have that correct. You said that you expect prices to go (up/down) during the next 12 months by (X) percent. Is that correct?"

A13. What about the outlook for prices over the next 5 to 10 years? Do you think prices will be higher, about the same, or lower, 5 to 10 years from now?

1. HIGHER	STAY THE SAME	5. LOWER	8. DON'T KNOW
-----------	---------------	----------	---------------

NEXT PAGE, A14

A13a. Do you mean that prices will go up at the same rate as now, or that prices in general will not go up during the next 5 to 10 years?

2. GO UP	3. WILL NOT GO UP
----------	-------------------

NEXT PAGE, A14

A13b. By about what percent per year do you expect prices to go (up/down) on the average, during the next 5 to 10 years? (USE PROBE BELOW IF ANSWER IS GREATER THAN 5%)

_____ PERCENT

NEXT PAGE, A14

DON'T KNOW

A13c. (AFTER A DON'T KNOW RESPONSE IS PROBED, IF R SAYS, "I DON'T KNOW", USE THE FOLLOWING PROBE:) (USE PROBE BELOW IF ANSWER IS GREATER THAN 5%)

How many cents on the dollar per year do you expect prices to go (up/down) on the average, during the next 5 to 10 years?

_____ CENTS ON DOLLAR

98. DON'T KNOW

IF R GIVES AN ANSWER THAT IS GREATER THAN 5%, PLEASE PROBE WITH:

"Would that be (X) percent per year, or is that the total for the next 5 to 10 years?"

IF R HAS GIVEN A TOTAL FOR THE NEXT FIVE TO TEN YEARS, ASK:

"About what percent per year would that be?"

A17. What about selling a house -- generally speaking, do you think now is a good time or a bad time to sell a house?

1. GOOD	3. PRO-CON	5. BAD	8. DON'T KNOW
---------	------------	--------	---------------

.)))))))))2)))))))))-



A17a. Why do you say so? (Are there any other reasons?) _____

A18. About the big things people buy for their homes--such as furniture, a refrigerator, stove, television, and things like that. Generally speaking, do you think now is a good or a bad time for people to buy major household items?

1. GOOD	3. PRO-CON	5. BAD	8. DON'T KNOW
---------	------------	--------	---------------

.)))))))))2)))))))))-



A18a. Why do you say so? (Are there any other reasons?) _____

FAMILY INCOME

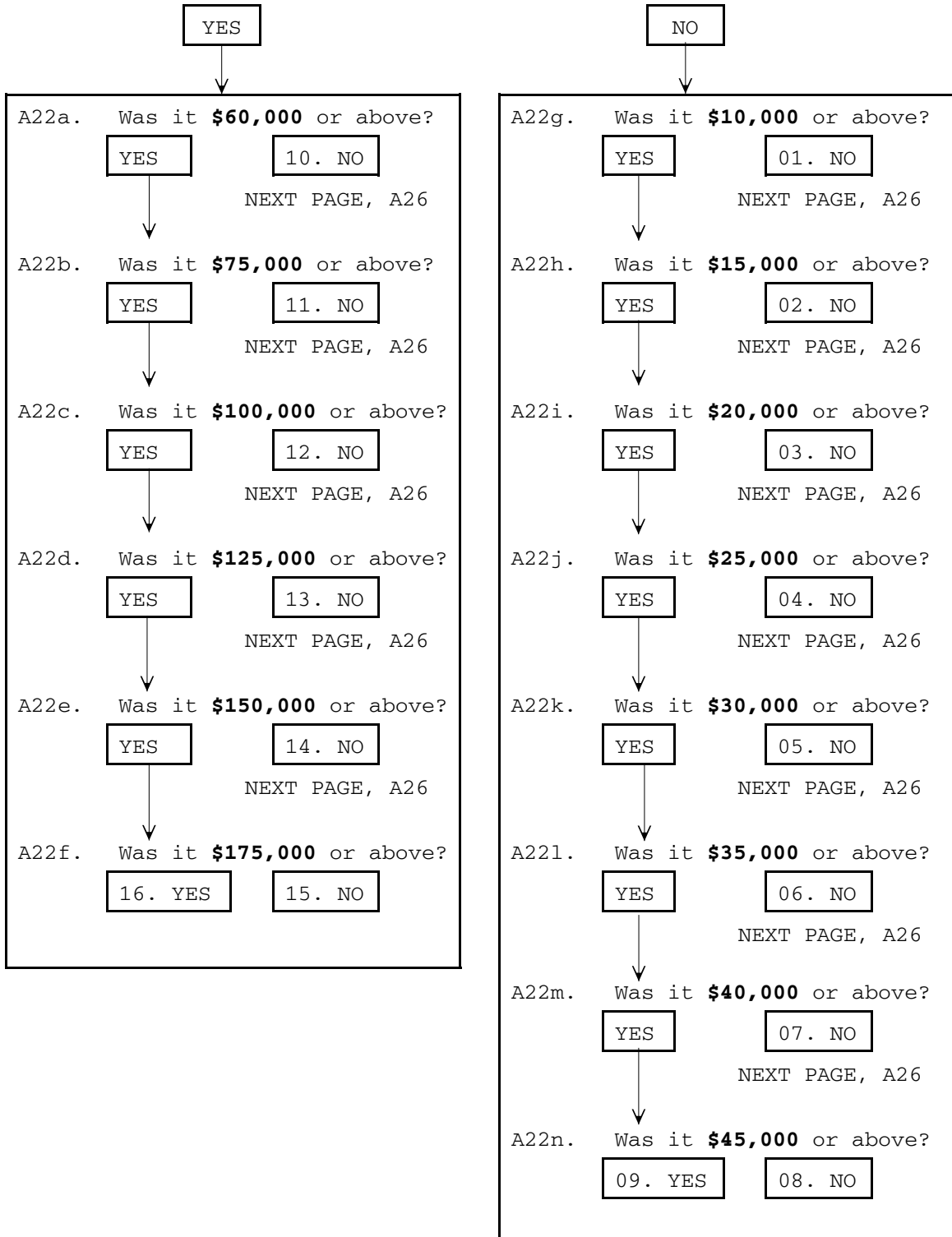
A21. To get a picture of people's financial situation we need to know the general range of income of all people we interview. Now, thinking about (your/your family's) total income from all sources (including your job), how much did (you/your family) receive in 2005?

GO TO A26

999998. DON'T KNOW

↓
GO TO A22

A22. Did (you/your family) receive **\$50,000** or more in 2005?



A26. Do you (and your family living there) own your home, pay rent, or what?

1. OWNS OR IS BUYING	2. RENT	7. OTHER (SPECIFY): _____
----------------------	---------	---------------------------

↓

GO TO A28

A27. Do you think the present value of your home--I mean, what it would bring if you sold it today--has increased compared with a year ago, has decreased compared with a year ago, or has it remained about the same?

1. INCREASED IN VALUE	3. SAME	5. DECREASED IN VALUE
-----------------------	---------	-----------------------

A28. The next few questions ask about your views of the chances that various events will happen. Your answers can range from zero to one hundred, where zero means there is absolutely no chance, and one hundred means that it is absolutely certain. For example, when weather forecasters report the chance of rain, a number like 20 percent means "a small chance", a number around 50 percent means "a pretty even chance," and a number like 80 percent means "a very good chance."

A28a. What do you think the chances are that your (family) income will increase by more than the rate of inflation during the next five years or so?

_____PERCENT

A28b. During the next 5 years, what do you think the chances are that you (or your husband/wife) will lose a job that you wanted to keep?

_____PERCENT

A28c. What do you think the chances are that [IF R UNDER AGE 65] (when you retire,) your income from Social Security and job pensions will be adequate to maintain your living standards?

_____PERCENT

A28d. Compared with 5 years ago, do you think the chances that you (and your husband/wife) will have a comfortable retirement have gone up, gone down, or remained about the same?

1. GONE UP	3. SAME	5. GONE DOWN
------------	---------	--------------

12

A29. The next question is about investing in the stock market. Please think about the type of mutual fund known as a diversified stock fund. This type of mutual fund holds stock in many different companies engaged in a wide variety of business activities. Suppose that tomorrow someone were to invest one thousand dollars in such a mutual fund. Please think about how much money this investment would be worth one year from now.

What do you think is the percent chance that this one thousand dollar investment will increase in value in the year ahead, so that it is worth more than one thousand dollars one year from now?

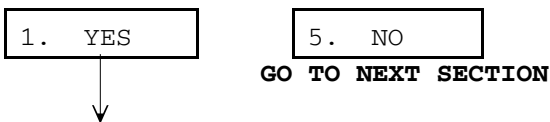
_____PERCENT CHANCE

A29a. Next I would like to ask you about your OWN (personal) income prospects in the next twelve months. What do you think is the percent chance that your income in the next twelve months will be higher than your income in the past twelve months?

_____PERCENT CHANCE

SECTION AA: FINANCIAL INVESTMENTS

AA1. The next questions are about investments in the stock market. First, do you (or any member of your family living there) have any investments in the stock market, including any publicly traded stock that is directly owned, stocks in mutual funds, stocks in any of your retirement accounts, including 401(K)s, IRAs, or Keogh accounts?



AA2. Considering all of your (family's) investments in the stock market, overall about how much would your investments be worth today?
(PROBE: What is your best estimate?)

\$ _____

GO TO NEXT SECTION

99999998. DON'T KNOW



AA2a. Would the total be \$25,000 or more?

1. YES

5. NO

AA2b. Is it \$50,000 or more?

1. YES 5. NO

GO TO NEXT SECTION

AA2c. Is it \$100,000 or more?

1. YES 5. NO

AA2d. Is it \$10,000 or more?

1. YES 5. NO

GO TO NEXT SECTION

AA2e. Is it \$5,000 or more?

1. YES 5. NO

BLANK PAGE

SECTION CA: VEHICLE FINANCING

- CA1. Did you (or anyone in your family living there) purchase a vehicle during the past six months?
[DO NOT INCLUDE LEASED VEHICLES]

 1. YES

 5. NO

*

∇

GO TO NEXT SECTION

- CA2. In which month and year did (you/your family) buy this vehicle?

_____/_____
MONTH YEAR

- CA3. Was it a brand new vehicle or a used vehicle?

 1. NEW

 2. USED

- CA4. What type of vehicle was it -- a car, a pickup, a van, or a sport utility vehicle?

 1. CAR

 2. PICKUP

 3. VAN

 4. UTILITY

- CA4a. Did you trade in a vehicle when you purchased the (car/pickup/van/sport utility/vehicle)?

 1. YES

 5. NO

*

∇

GO TO CA4C

- CA4b. What price did the dealership give you for the old vehicle?

\$ _____

 999998. DON'T KNOW

CA4c. Did you receive a cash rebate or incentive from the dealership when you purchased the (car/pickup/van/sport utility/vehicle)?

1. YES

*
▽

5. NO

GO TO CA5

CA4d. How much was this cash incentive?

\$ _____

999998. DON'T KNOW

CA5. How much did you (or anyone in your family living there) pay for the (car/pickup/van/sport utility/vehicle) (after deducting the vehicle trade-in and the cash rebate or incentive)?

\$ _____

999998. DON'T KNOW

CA6. Did you (or anyone in your family living there) borrow any money to purchase the (car/pickup/van/sport utility/vehicle) or did you pay for it all in cash?

1. BORROWED MONEY

GO TO CA8

5. PAID ALL CASH

*
▽

CA7. Did the cash come from your savings or investments, was it from a home equity loan or mortgage refinancing, or from somewhere else?
[CHECK ALL THAT APPLY]

1. SAVINGS;
INVESTMENTS

2. HOME
EQUITY LOAN

3. MORTGAGE
REFINANCING

7. OTHER
(SPECIFY) : _____

GO TO NEXT SECTION

CA8. How much in total was borrowed to purchase the (car/pickup/van/sport utility/vehicle)?

\$ _____

CA8a. How many months is the loan for?

_____ NUMBER OF

CA9. What is the current interest rate of the loan for the (car/pickup/van/sport utility/vehicle)?

_____ PERCENT

CA10. Where did you obtain the loan -- from a bank or savings association, a credit union, a finance company, the vehicle manufacturer, or from somewhere else?

1. BANK OR SAVINGS ASSOCIATION	2. CREDIT UNION	3. FINANCE COMPANY	4. VEHICLE MANUFACTURER
7. OTHER (SPECIFY): _____			

BLANK PAGE

SECTION B: DEVELOPMENTAL IDEALISM AND FAMILY LIFE**INTERVIEWER CHECKPOINT:**

- | | |
|--------------------------|---|
| <input type="checkbox"/> | 1. IF FORM 1 ----> COMPLETE SECTIONS BA/BB/BC/ BJ/BK |
| <input type="checkbox"/> | 2. IF FORM 2 ----> COMPLETE SECTIONS BA/BB/BD/ BJ/BK |
| <input type="checkbox"/> | 3. IF FORM 3 ----> COMPLETE SECTIONS BB/BC/BA/ BJ/BK |
| <input type="checkbox"/> | 4. IF FORM 4 ----> COMPLETE SECTIONS BB/BD/BA/ BJ/BK |
| <input type="checkbox"/> | 5. IF FORM 5 ----> COMPLETE SECTIONS BE/BF/BG/ BJ/BK |
| <input type="checkbox"/> | 6. IF FORM 6 ----> COMPLETE SECTIONS BE/BF/BH/ BJ/BK |
| <input type="checkbox"/> | 7. IF FORM 7 ----> COMPLETE SECTIONS BF/BG/BE/ BJ/BK |
| <input type="checkbox"/> | 8. IF FORM 8 ----> COMPLETE SECTIONS BF/BH/BE/ BJ/BK |

EXACT TIME NOW: _____

- BA1. Now (in this next part of the interview), we will talk about different countries around the world. First, we would like you to think about what life was like in England around 1600, and compare it to what life was like in England 200 years later, around 1800. I'm going to read you a list, and for each item I want you to tell me whether you think it was more common in England around 1600 or more common in England 200 years later, around 1800.

First, how about married children living with their parents or in-laws -- was this more common in England around 1600 or more common in England 200 years later, around 1800?

1. MORE COMMON
AROUND 1600

2. MORE COMMON
AROUND 1800

3. ABOUT THE SAME
(IF VOL.)

- BA2. Females marrying before the age of eighteen -- was this more common in England around 1600 or more common in England 200 years later, around 1800?

1. MORE COMMON
AROUND 1600

2. MORE COMMON
AROUND 1800

3. ABOUT THE SAME
(IF VOL.)

- BA3. Family unity and loyalty (-- was this more common in England around 1600 or more common in England 200 years later, around 1800)?

1. MORE COMMON
AROUND 1600

2. MORE COMMON
AROUND 1800

3. ABOUT THE SAME
(IF VOL.)

- BA4. Personal freedom (-- was this more common in England around 1600 or more common in England 200 years later, around 1800)?

1. MORE COMMON
AROUND 1600

2. MORE COMMON
AROUND 1800

3. ABOUT THE SAME
(IF VOL.)

- BA5. Parental control over adult children (-- was this more common in England around 1600 or more common in England 200 years later, around 1800)?

1. MORE COMMON
AROUND 1600

2. MORE COMMON
AROUND 1800

3. ABOUT THE SAME
(IF VOL.)

BA6. What about equality between women and men (-- was this more common in England around 1600 or more common in England 200 years later, around 1800)?

1. MORE COMMON
AROUND 1600

2. MORE COMMON
AROUND 1800

3. ABOUT THE SAME
(IF VOL.)

BA7. Women who never marry (-- were they more common in England around 1600 or more common in England 200 years later, around 1800)?

1. MORE COMMON
AROUND 1600

2. MORE COMMON
AROUND 1800

3. ABOUT THE SAME
(IF VOL.)

BA8. Men having more than one married wife at the same time (-- was this more common in England around 1600 or more common in England 200 years later, around 1800)?

1. MORE COMMON
AROUND 1600

2. MORE COMMON
AROUND 1800

3. ABOUT THE SAME
(IF VOL.)

BA9. Arranged marriages (-- were they more common in England around 1600 or more common in England 200 years later, around 1800)?

1. MORE COMMON
AROUND 1600

2. MORE COMMON
AROUND 1800

3. ABOUT THE SAME
(IF VOL.)

BA10. Couples having many children (-- were they more common in England around 1600 or more common in England 200 years later, around 1800)?

1. MORE COMMON
AROUND 1600

2. MORE COMMON
AROUND 1800

3. ABOUT THE SAME
(IF VOL.)

BA11. Marriages breaking up (-- were they more common in England around 1600 or more common in England 200 years later, around 1800)?

1. MORE COMMON
AROUND 1600

2. MORE COMMON
AROUND 1800

3. ABOUT THE SAME
(IF VOL.)

BA12. A high degree of respect for women in society (-- was this more common in England around 1600 or more common in England 200 years later, around 1800)?

1. MORE COMMON
AROUND 1600

2. MORE COMMON
AROUND 1800

3. ABOUT THE SAME
(IF VOL.)

BA13. Babies born to unmarried mothers (-- was this more common in England around 1600 or more common in England 200 years later, around 1800)?

1. MORE COMMON
AROUND 1600

2. MORE COMMON
AROUND 1800

3. ABOUT THE SAME
(IF VOL.)

BA14. Opposite sex couples living together without being married (-- was this more common in England around 1600 or more common in England 200 years later, around 1800)?

1. MORE COMMON
AROUND 1600

2. MORE COMMON
AROUND 1800

3. ABOUT THE SAME
(IF VOL.)

BA15. What about romantic love between a husband and wife (-- was this more common in England around 1600 or more common in England 200 years later, around 1800)?

1. MORE COMMON
AROUND 1600

2. MORE COMMON
AROUND 1800

3. ABOUT THE SAME
(IF VOL.)

BA16. People living in cities (-- was this more common in England around 1600 or more common in England 200 years later, around 1800)?

1. MORE COMMON
AROUND 1600

2. MORE COMMON
AROUND 1800

3. ABOUT THE SAME
(IF VOL.)

BA17. How about children dying before their first birthday (-- was this more common in England around 1600 or more common in England 200 years later, around 1800)?

1. MORE COMMON
AROUND 1600

2. MORE COMMON
AROUND 1800

3. ABOUT THE SAME
(IF VOL.)

BA18. High standard of living (-- was this more common in England around 1600 or more common in England 200 years later, around 1800)?

1. MORE COMMON
AROUND 1600

2. MORE COMMON
AROUND 1800

3. ABOUT THE SAME
(IF VOL.)

BA19. People working on farms (-- was this more common in England around 1600 or more common in England 200 years later, around 1800)?

1. MORE COMMON
AROUND 1600

2. MORE COMMON
AROUND 1800

3. ABOUT THE SAME
(IF VOL.)

BA20. Many people receiving education in schools (-- was this more common in England around 1600 or more common in England 200 years later, around 1800)?

1. MORE COMMON
AROUND 1600

2. MORE COMMON
AROUND 1800

3. ABOUT THE SAME
(IF VOL.)

GO TO FORM'S NEXT SECTION

24

EXACT TIME NOW: _____

BB1. Now (in this next part of the interview), we would like you to think about development in different countries around the world today. We'll be talking about countries as varied as France and Mongolia. Think of a development scale that rates countries from zero to ten. The least developed places in the world are rated zero and the most developed places in the world are rated ten. You can use both of those numbers for rating countries plus all of the numbers in between.

Using this development scale, where would you put Japan?

[IF R ASKS YOU MAY INFORM: "Zero is least developed; ten is most developed."]

_____ SCALE (0-10) 98. DON'T KNOW
GO TO BB3 *
∇

BB2. Even if you don't know exactly, about where would you put Japan?
[IF R ASKS YOU MAY INFORM: "Zero is least developed; ten is most developed."]

_____ SCALE (0-10) 98. DON'T KNOW

BB3. Using this development scale of zero to ten, where would you put Nigeria?
[IF R ASKS YOU MAY INFORM: "Zero is least developed; ten is most developed."]

_____ SCALE (0-10) 98. DON'T KNOW
GO TO BB5 *
∇

BB4. Even if you don't know exactly, about where would you put Nigeria?
[IF R ASKS YOU MAY INFORM: "Zero is least developed; ten is most developed."]

_____ SCALE (0-10) 98. DON'T KNOW

BB5. (Using this development scale of zero to ten,) where would you put India?
 [IF R ASKS YOU MAY INFORM: "Zero is least developed; ten is most developed."]

_____ SCALE (0-10) 98. DON'T KNOW
GO TO BB7 *
 ▼

BB6. Even if you don't know exactly, about where would you put India?
 [IF R ASKS YOU MAY INFORM: "Zero is least developed; ten is most developed."]

_____ SCALE (0-10) 98. DON'T KNOW

BB7. (Using this development scale of zero to ten,) where would you put the United States?
 [IF R ASKS YOU MAY INFORM: "Zero is least developed; ten is most developed."]

_____ SCALE (0-10) 98. DON'T KNOW
GO TO BB9 *
 ▼

BB8. Even if you don't know exactly, about where would you put the United States?
 [IF R ASKS YOU MAY INFORM: "Zero is least developed; ten is most developed."]

_____ SCALE (0-10) 98. DON'T KNOW

BB9. (Using this development scale of zero to ten,) where would you put China?
 [IF R ASKS YOU MAY INFORM: "Zero is least developed; ten is most developed."]

_____ SCALE (0-10) 98. DON'T KNOW
GO TO BB11 *
 ▼

BB10. Even if you don't know exactly, about where would you put China?
 [IF R ASKS YOU MAY INFORM: "Zero is least developed; ten is most developed."]

_____ SCALE (0-10) 98. DON'T KNOW

- BB17. (Using this development scale of zero to ten,) where would you put Pakistan?
 [IF R ASKS YOU MAY INFORM: "Zero is least developed; ten is most developed."]

 GO TO BB19

SCALE (0-10)

98. DON'T KNOW

*

∇

- BB18. Even if you don't know exactly, about where would you put Pakistan?
 [IF R ASKS YOU MAY INFORM: "Zero is least developed; ten is most developed."]

 SCALE (0-10)

98. DON'T KNOW

- BB19. (Using this development scale of zero to ten,) where would you put the
Central African Republic?
 [IF R ASKS YOU MAY INFORM: "Zero is least developed; ten is most developed."]
 [IF R ASKS WHERE CAR IS, SAY: "This is a country in the middle of Africa."]

 GO TO FORM'S NEXT SECTION

SCALE (0-10)

98. DON'T KNOW

*

∇

- BB20. Even if you don't know exactly, about where would you put the Central African Republic?
 [IF R ASKS YOU MAY INFORM: "Zero is least developed; ten is most developed."]
 [IF R ASKS WHERE CAR IS, SAY: "This is a country in the middle of Africa."]

 SCALE (0-10)

98. DON'T KNOW

GO TO FORM'S NEXT SECTION

EXACT TIME NOW: _____

BC1. Next, please think about what life is like in the country of India and compare it to what life is like here in the United States. Please tell me whether each of the following things is more common today in India or more common in the United States.

First, how about married children living with their parents or in-laws -- is this more common in India or more common in the United States?

1. MORE COMMON IN INDIA	2. MORE COMMON IN US	3. ABOUT THE SAME (IF VOL.)
-------------------------	----------------------	-----------------------------

BC2. Females marrying before the age of eighteen -- is this more common in India or more common in the United States?

1. MORE COMMON IN INDIA	2. MORE COMMON IN US	3. ABOUT THE SAME (IF VOL.)
-------------------------	----------------------	-----------------------------

BC3. Family unity and loyalty (-- is this more common in India or more common in the United States)?

1. MORE COMMON IN INDIA	2. MORE COMMON IN US	3. ABOUT THE SAME (IF VOL.)
-------------------------	----------------------	-----------------------------

BC4. Personal freedom (-- is this more common in India or more common in the United States)?

1. MORE COMMON IN INDIA	2. MORE COMMON IN US	3. ABOUT THE SAME (IF VOL.)
-------------------------	----------------------	-----------------------------

BC5. Parental control over adult children (-- is this more common in India or more common in the United States)?

1. MORE COMMON IN INDIA	2. MORE COMMON IN US	3. ABOUT THE SAME (IF VOL.)
-------------------------	----------------------	-----------------------------

BC6. What about equality between women and men (-- is this more common in India or more common in the United States)?

1. MORE COMMON IN INDIA	2. MORE COMMON IN US	3. ABOUT THE SAME (IF VOL.)
-------------------------	----------------------	-----------------------------

BC7. Women who never marry (-- are they more common in India or more common in the United States)?

1. MORE COMMON IN INDIA

2. MORE COMMON IN US

3. ABOUT THE SAME (IF VOL.)

BC8. Men having more than one married wife at the same time (-- is this more common in India or more common in the United States)?

1. MORE COMMON IN INDIA

2. MORE COMMON IN US

3. ABOUT THE SAME (IF VOL.)

BC9. Arranged marriages (-- are they more common in India or more common in the United States)?

1. MORE COMMON IN INDIA

2. MORE COMMON IN US

3. ABOUT THE SAME (IF VOL.)

BC10. Couples having many children (-- are they more common in India or more common in the United States)?

1. MORE COMMON IN INDIA

2. MORE COMMON IN US

3. ABOUT THE SAME (IF VOL.)

BC11. Marriages breaking up (-- are they more common in India or more common in the United States)?

1. MORE COMMON IN INDIA

2. MORE COMMON IN US

3. ABOUT THE SAME (IF VOL.)

BC12. A high degree of respect for women in society (-- is this more common in India or more common in the United States)?

1. MORE COMMON IN INDIA

2. MORE COMMON IN US

3. ABOUT THE SAME (IF VOL.)

BC13. Babies born to unmarried mothers (-- is this more common in India or more common in the United States)?

1. MORE COMMON IN INDIA

2. MORE COMMON IN US

3. ABOUT THE SAME (IF VOL.)

BC14. Opposite sex couples living together without being married (-- is this more common in India or more common in the United States)?

1. MORE COMMON IN INDIA

2. MORE COMMON IN US

3. ABOUT THE SAME (IF VOL.)

BC15. What about romantic love between a husband and wife (-- is this more common in India or more common in the United States)?

1. MORE COMMON IN INDIA

2. MORE COMMON IN US

3. ABOUT THE SAME (IF VOL.)

BC16. People living in cities (-- is this more common in India or more common in the United States)?

1. MORE COMMON IN INDIA

2. MORE COMMON IN US

3. ABOUT THE SAME (IF VOL.)

BC17. How about children dying before their first birthday (-- is this more common in India or more common in the United States)?

1. MORE COMMON IN INDIA

2. MORE COMMON IN US

3. ABOUT THE SAME (IF VOL.)

BC18. High standard of living (-- is this more common in India or more common in the United States)?

1. MORE COMMON IN INDIA

2. MORE COMMON IN US

3. ABOUT THE SAME (IF VOL.)

BC19. People working on farms (-- is this more common in India or more common in the United States)?

1. MORE COMMON IN INDIA

2. MORE COMMON IN US

3. ABOUT THE SAME (IF VOL.)

BC20. Many people receiving education in schools (-- is this more common in India or more common in the United States)?

1. MORE COMMON IN INDIA

2. MORE COMMON IN US

3. ABOUT THE SAME (IF VOL.)

GO TO FORM'S NEXT SECTION

EXACT TIME NOW: _____

- BD1. Now, please think about what life is like today in countries that are not developed and compare it to what life is like today in countries that are developed. Please tell me whether each of the following things is more common in countries that are not developed or more common in countries that are developed.

First, how about married children living with their parents or in-laws -- is this more common in countries that are not developed or more common in countries that are developed?

1. NOT DEVELOPED

2. DEVELOPED

3. ABOUT THE SAME (IF VOL.)

- BD2. Females marrying before the age of eighteen -- is this more common in countries that are not developed or more common in countries that are developed?

1. NOT DEVELOPED

2. DEVELOPED

3. ABOUT THE SAME (IF VOL.)

- BD3. Family unity and loyalty (-- is this more common in countries that are not developed or more common in countries that are developed)?

1. NOT DEVELOPED

2. DEVELOPED

3. ABOUT THE SAME (IF VOL.)

- BD4. Personal freedom (-- is this more common in countries that are not developed or more common in countries that are developed)?

1. NOT DEVELOPED

2. DEVELOPED

3. ABOUT THE SAME (IF VOL.)

- BD5. Parental control over adult children (-- is this more common in countries that are not developed or more common in countries that are developed)?

1. NOT DEVELOPED

2. DEVELOPED

3. ABOUT THE SAME (IF VOL.)

- BD6. What about equality between women and men (-- is this more common in countries that are not developed or more common in countries that are developed)?

1. NOT DEVELOPED

2. DEVELOPED

3. ABOUT THE SAME (IF VOL.)

BD7. Women who never marry (-- are they more common in countries that are not developed or more common in countries that are developed)?

1. NOT DEVELOPED

2. DEVELOPED

3. ABOUT THE SAME (IF VOL.)

BD8. Men having more than one married wife at the same time (-- is this more common in countries that are not developed or more common in countries that are developed)?

1. NOT DEVELOPED

2. DEVELOPED

3. ABOUT THE SAME (IF VOL.)

BD9. Arranged marriages (-- are they more common in countries that are not developed or more common in countries that are developed)?

1. NOT DEVELOPED

2. DEVELOPED

3. ABOUT THE SAME (IF VOL.)

BD10. Couples having many children (-- are they more common in countries that are not developed or more common in countries that are developed)?

1. NOT DEVELOPED

2. DEVELOPED

3. ABOUT THE SAME (IF VOL.)

BD11. Marriages breaking up (-- are they more common in countries that are not developed or more common in countries that are developed)?

1. NOT DEVELOPED

2. DEVELOPED

3. ABOUT THE SAME (IF VOL.)

BD12. A high degree of respect for women in society (-- is this more common in countries that are not developed or more common in countries that are developed)?

1. NOT DEVELOPED

2. DEVELOPED

3. ABOUT THE SAME (IF VOL.)

BD13. Babies born to unmarried mothers (-- is this more common in countries that are not developed or more common in countries that are developed)?

1. NOT DEVELOPED

2. DEVELOPED

3. ABOUT THE SAME (IF VOL.)

BD14. Opposite sex couples living together without being married (-- is this more common in countries that are not developed or more common in countries that are developed)?

1. NOT DEVELOPED

2. DEVELOPED

3. ABOUT THE SAME (IF VOL.)

BD15. What about romantic love between a husband and wife (-- is this more common in countries that are not developed or more common in countries that are developed)?

1. NOT DEVELOPED

2. DEVELOPED

3. ABOUT THE SAME (IF VOL.)

BD16. People living in cities (-- is this more common in countries that are not developed or more common in countries that are developed)?

1. NOT DEVELOPED

2. DEVELOPED

3. ABOUT THE SAME (IF VOL.)

BD17. How about children dying before their first birthday (-- is this more common in countries that are not developed or more common in countries that are developed)?

1. NOT DEVELOPED

2. DEVELOPED

3. ABOUT THE SAME (IF VOL.)

BD18. High standard of living (-- is this more common in countries that are not developed or more common in countries that are developed)?

1. NOT DEVELOPED

2. DEVELOPED

3. ABOUT THE SAME (IF VOL.)

BD19. People working on farms (-- is this more common in countries that are not developed or more common in countries that are developed)?

1. NOT DEVELOPED

2. DEVELOPED

3. ABOUT THE SAME (IF VOL.)

BD20. Many people receiving education in schools (-- is this more common in countries that are not developed or more common in countries that are developed)?

1. NOT DEVELOPED

2. DEVELOPED

3. ABOUT THE SAME (IF VOL.)

GO TO FORM'S NEXT SECTION

EXACT TIME NOW: _____

BE1. Now (in this next part of the interview), we would like you to think about what life was like in England around 1600, and compare it to what life was like in England 200 years later, around 1800. I'm going to read you a list, and for each item I want you to tell me whether you think it was more common in England around 1600, more common in England 200 years later, around 1800, or about the same.

First, how about married children living with their parents or in-laws -- was this more common in England around 1600, more common in England 200 years later, around 1800, or about the same?

1. MORE COMMON
AROUND 1600

2. MORE COMMON
AROUND 1800

3. ABOUT THE SAME

BE2. Females marrying before the age of eighteen -- was this more common in England around 1600, more common in England 200 years later, around 1800, or about the same?

1. MORE COMMON
AROUND 1600

2. MORE COMMON
AROUND 1800

3. ABOUT THE SAME

BE3. Family unity and loyalty (-- was this more common in England around 1600, more common in England 200 years later, around 1800, or about the same)?

1. MORE COMMON
AROUND 1600

2. MORE COMMON
AROUND 1800

3. ABOUT THE SAME

BE4. Personal freedom (-- was this more common in England around 1600, more common in England 200 years later, around 1800, or about the same)?

1. MORE COMMON
AROUND 1600

2. MORE COMMON
AROUND 1800

3. ABOUT THE SAME

BE5. Parental control over adult children (-- was this more common in England around 1600, more common in England 200 years later, around 1800, or about the same)?

1. MORE COMMON
AROUND 1600

2. MORE COMMON
AROUND 1800

3. ABOUT THE SAME

BE6. What about equality between women and men (-- was this more common in England around 1600, more common in England 200 years later, around 1800, or about the same)?

1. MORE COMMON
AROUND 1600

2. MORE COMMON
AROUND 1800

3. ABOUT THE SAME

BE7. Women who never marry (-- were they more common in England around 1600, more common in England 200 years later, around 1800, or about the same)?

1. MORE COMMON
AROUND 1600

2. MORE COMMON
AROUND 1800

3. ABOUT THE SAME

BE8. Men having more than one married wife at the same time (-- was this more common in England around 1600, more common in England 200 years later, around 1800, or about the same)?

1. MORE COMMON
AROUND 1600

2. MORE COMMON
AROUND 1800

3. ABOUT THE SAME

BE9. Arranged marriages (-- were they more common in England around 1600, more common in England 200 years later, around 1800, or about the same)?

1. MORE COMMON
AROUND 1600

2. MORE COMMON
AROUND 1800

3. ABOUT THE SAME

BE10. Couples having many children (-- were they more common in England around 1600, more common in England 200 years later, around 1800, or about the same)?

1. MORE COMMON
AROUND 1600

2. MORE COMMON
AROUND 1800

3. ABOUT THE SAME

36

BE11. Marriages breaking up (-- were they more common in England around 1600, more common in England 200 years later, around 1800, or about the same)?

1. MORE COMMON
AROUND 1600

2. MORE COMMON
AROUND 1800

3. ABOUT THE SAME

BE12. A high degree of respect for women in society (-- was this more common in England around 1600, more common in England 200 years later, around 1800, or about the same)?

1. MORE COMMON
AROUND 1600

2. MORE COMMON
AROUND 1800

3. ABOUT THE SAME

BE13. Babies born to unmarried mothers (-- was this more common in England around 1600, more common in England 200 years later, around 1800, or about the same)?

1. MORE COMMON
AROUND 1600

2. MORE COMMON
AROUND 1800

3. ABOUT THE SAME

BE14. Opposite sex couples living together without being married (-- was this more common in England around 1600, more common in England 200 years later, around 1800, or about the same)?

1. MORE COMMON
AROUND 1600

2. MORE COMMON
AROUND 1800

3. ABOUT THE SAME

BE15. What about romantic love between a husband and wife (-- was this more common in England around 1600, more common in England 200 years later, around 1800, or about the same)?

1. MORE COMMON
AROUND 1600

2. MORE COMMON
AROUND 1800

3. ABOUT THE SAME

BE16. People living in cities (-- was this more common in England around 1600, more common in England 200 years later, around 1800, or about the same)?

1. MORE COMMON
AROUND 1600

2. MORE COMMON
AROUND 1800

3. ABOUT THE SAME

BE17. How about children dying before their first birthday (-- was this more common in England around 1600, more common in England 200 years later, around 1800, or about the same)?

1. MORE COMMON
AROUND 1600

2. MORE COMMON
AROUND 1800

3. ABOUT THE SAME

BE18. High standard of living (-- was this more common in England around 1600, more common in England 200 years later, around 1800, or about the same)?

1. MORE COMMON
AROUND 1600

2. MORE COMMON
AROUND 1800

3. ABOUT THE SAME

BE19. People working on farms (-- was this more common in England around 1600, more common in England 200 years later, around 1800, or about the same)?

1. MORE COMMON
AROUND 1600

2. MORE COMMON
AROUND 1800

3. ABOUT THE SAME

BE20. Many people receiving education in schools (-- was this more common in England around 1600, more common in England 200 years later, around 1800, or about the same)?

1. MORE COMMON
AROUND 1600

2. MORE COMMON
AROUND 1800

3. ABOUT THE SAME

GO TO FORM'S NEXT SECTION

EXACT TIME NOW: _____

BF1. Now (in this next part of the interview), we will talk about different countries around the world. We would like you to think about development in different countries around the world today. We'll be talking about countries as varied as France and Mongolia. Think of a development scale that rates countries from ten to zero. The most developed places in the world are rated ten and the least developed places in the world are rated zero. You can use both of those numbers for rating countries plus all of the numbers in between.

Using this development scale, where would you put Japan?
 [IF R ASKS YOU MAY INFORM: "Ten is most developed; zero is least developed."]

_____ SCALE (10-0) 98. DON'T KNOW
GO TO BF3 *
 ▼

BF2. Even if you don't know exactly, about where would you put Japan?
 [IF R ASKS YOU MAY INFORM: "Ten is most developed; zero is least developed."]

_____ SCALE (10-0) 98. DON'T KNOW

BF3. Using this development scale of ten to zero, where would you put Nigeria?
 [IF R ASKS YOU MAY INFORM: "Ten is most developed; zero is least developed."]

_____ SCALE (10-0) 98. DON'T KNOW
GO TO BF5 *
 ▼

BF4. Even if you don't know exactly, about where would you put Nigeria?
 [IF R ASKS YOU MAY INFORM: "Ten is most developed; zero is least developed."]

_____ SCALE (10-0) 98. DON'T KNOW

- BF5. (Using this development scale of ten to zero,) where would you put India?
 [IF R ASKS YOU MAY INFORM: "Ten is most developed; zero is least developed."]

_____ SCALE (10-0) 98. DON'T KNOW
GO TO BF7 *
 ▼

- BF6. Even if you don't know exactly, about where would you put India?
 [IF R ASKS YOU MAY INFORM: "Ten is most developed; zero is least developed."]

_____ SCALE (10-0) 98. DON'T KNOW

- BF7. (Using this development scale of ten to zero,) where would you put the United States?
 [IF R ASKS YOU MAY INFORM: "Ten is most developed; zero is least developed."]

_____ SCALE (10-0) 98. DON'T KNOW
GO TO BF9 *
 ▼

- BF8. Even if you don't know exactly, about where would you put the United States?
 [IF R ASKS YOU MAY INFORM: "Ten is most developed; zero is least developed."]

_____ SCALE (10-0) 98. DON'T KNOW

- BF9. (Using this development scale of ten to zero,) where would you put China?
 [IF R ASKS YOU MAY INFORM: "Ten is most developed; zero is least developed."]

_____ SCALE (10-0) 98. DON'T KNOW
GO TO BF11 *
 ▼

- BF10. Even if you don't know exactly, about where would you put China?
 [IF R ASKS YOU MAY INFORM: "Ten is most developed; zero is least developed."]

_____ SCALE (10-0) 98. DON'T KNOW

BF11. Using this development scale of ten to zero again, where would you put Zimbabwe?
[IF R ASKS YOU MAY INFORM: "Ten is most developed; zero is least developed."]

GO TO BF13 SCALE (10-0) 98. DON'T KNOW
*
∇

BF12. Even if you don't know exactly, about where would you put Zimbabwe?
[IF R ASKS YOU MAY INFORM: "Ten is most developed; zero is least developed."]

SCALE (10-0) 98. DON'T KNOW

BF13. (Using this development scale of ten to zero,) where would you put Sweden?
[IF R ASKS YOU MAY INFORM: "Ten is most developed; zero is least developed."]

GO TO BF15 SCALE (10-0) 98. DON'T KNOW
*
∇

BF14. Even if you don't know exactly, about where would you put Sweden?
[IF R ASKS YOU MAY INFORM: "Ten is most developed; zero is least developed."]

SCALE (10-0) 98. DON'T KNOW

BF15. (Using this development scale of ten to zero,) where would you put Brazil?
[IF R ASKS YOU MAY INFORM: "Ten is most developed; zero is least developed."]

GO TO BF17 SCALE (10-0) 98. DON'T KNOW
*
∇

BF16. Even if you don't know exactly, about where would you put Brazil?
[IF R ASKS YOU MAY INFORM: "Ten is most developed; zero is least developed."]

SCALE (10-0) 98. DON'T KNOW

- BF17. (Using this development scale of ten to zero,) where would you put Pakistan?
 [IF R ASKS YOU MAY INFORM: "Ten is most developed; zero is least developed."]

_____ SCALE (10-0) 98. DON'T KNOW
GO TO BF19 *
 ▼

- BF18. Even if you don't know exactly, about where would you put Pakistan?
 [IF R ASKS YOU MAY INFORM: "Ten is most developed; zero is least developed."]

_____ SCALE (10-0) 98. DON'T KNOW

- BF19. (Using this development scale of ten to zero,) where would you put the
Central African Republic?
 [IF R ASKS YOU MAY INFORM: "Ten is most developed; zero is least developed."]
 [IR R ASKS WHERE CAR IS, SAY: "This is a country in the middle of Africa."]

_____ SCALE (10-0) 98. DON'T KNOW
GO TO FORM'S NEXT SECTION *
 ▼

- BF20. Even if you don't know exactly, about where would you put the Central African Republic?
 [IF R ASKS YOU MAY INFORM: "Ten is most developed; zero is least developed."]
 [IR R ASKS WHERE CAR IS, SAY: "This is a country in the middle of Africa."]

_____ SCALE (10-0) 98. DON'T KNOW

GO TO FORM'S NEXT SECTION

EXACT TIME NOW: _____

BG1. Now, please think about what life is like today in countries that are not developed and compare it to what life is like today in countries that are developed. Please tell me whether each of the following things is more common in countries that are not developed, more common in countries that are developed, or about the same.

First, how about married children living with their parents or in-laws -- is this more common in countries that are not developed, more common in countries that are developed, or about the same?

- | | | |
|------------------|--------------|-------------------|
| 1. NOT DEVELOPED | 2. DEVELOPED | 3. ABOUT THE SAME |
|------------------|--------------|-------------------|

BG2. Females marrying before the age of eighteen -- is this more common in countries that are not developed, more common in countries that are developed, or about the same?

- | | | |
|------------------|--------------|-------------------|
| 1. NOT DEVELOPED | 2. DEVELOPED | 3. ABOUT THE SAME |
|------------------|--------------|-------------------|

BG3. Family unity and loyalty (-- is this more common in countries that are not developed, more common in countries that are developed, or about the same)?

- | | | |
|------------------|--------------|-------------------|
| 1. NOT DEVELOPED | 2. DEVELOPED | 3. ABOUT THE SAME |
|------------------|--------------|-------------------|

BG4. Personal freedom (-- is this more common in countries that are not developed, more common in countries that are developed, or about the same)?

- | | | |
|------------------|--------------|-------------------|
| 1. NOT DEVELOPED | 2. DEVELOPED | 3. ABOUT THE SAME |
|------------------|--------------|-------------------|

BG5. Parental control over adult children (-- is this more common in countries that are not developed, more common in countries that are developed, or about the same)?

- | | | |
|------------------|--------------|-------------------|
| 1. NOT DEVELOPED | 2. DEVELOPED | 3. ABOUT THE SAME |
|------------------|--------------|-------------------|

BG6. What about equality between women and men (-- is this more common in countries that are not developed, more common in countries that are developed, or about the same)?

- | | | |
|------------------|--------------|-------------------|
| 1. NOT DEVELOPED | 2. DEVELOPED | 3. ABOUT THE SAME |
|------------------|--------------|-------------------|

BG7. Women who never marry (-- are they more common in countries that are not developed, more common in countries that are developed, or about the same)?

1. NOT DEVELOPED

2. DEVELOPED

3. ABOUT THE SAME

BG8. Men having more than one married wife at the same time (-- is this more common in countries that are not developed, more common in countries that are developed, or about the same)?

1. NOT DEVELOPED

2. DEVELOPED

3. ABOUT THE SAME

BG9. Arranged marriages (-- are they more common in countries that are not developed, more common in countries that are developed, or about the same)?

1. NOT DEVELOPED

2. DEVELOPED

3. ABOUT THE SAME

BG10. Couples having many children (-- are they more common in countries that are not developed, more common in countries that are developed, or about the same)?

1. NOT DEVELOPED

2. DEVELOPED

3. ABOUT THE SAME

BG11. Marriages breaking up (-- are they more common in countries that are not developed, more common in countries that are developed, or about the same)?

1. NOT DEVELOPED

2. DEVELOPED

3. ABOUT THE SAME

BG12. A high degree of respect for women in society (-- is this more common in countries that are not developed, more common in countries that are developed, or about the same)?

1. NOT DEVELOPED

2. DEVELOPED

3. ABOUT THE SAME

BG13. Babies born to unmarried mothers (-- is this more common in countries that are not developed, more common in countries that are developed, or about the same)?

1. NOT DEVELOPED

2. DEVELOPED

3. ABOUT THE SAME

BG14. Opposite sex couples living together without being married (-- is this more common in countries that are not developed, more common in countries that are developed, or about the same)?

1. NOT DEVELOPED

2. DEVELOPED

3. ABOUT THE SAME

BG15. What about romantic love between a husband and wife (-- is this more common in countries that are not developed, more common in countries that are developed, or about the same)?

1. NOT DEVELOPED

2. DEVELOPED

3. ABOUT THE SAME

BG16. People living in cities (-- is this more common in countries that are not developed, more common in countries that are developed, or about the same)?

1. NOT DEVELOPED

2. DEVELOPED

3. ABOUT THE SAME

BG17. How about children dying before their first birthday (-- is this more common in countries that are not developed, more common in countries that are developed, or about the same)?

1. NOT DEVELOPED

2. DEVELOPED

3. ABOUT THE SAME

BG18. High standard of living (-- is this more common in countries that are not developed, more common in countries that are developed, or about the same)?

1. NOT DEVELOPED

2. DEVELOPED

3. ABOUT THE SAME

BG19. People working on farms (-- is this more common in countries that are not developed, more common in countries that are developed, or about the same)?

1. NOT DEVELOPED

2. DEVELOPED

3. ABOUT THE SAME

BG20. Many people receiving education in schools (-- is this more common in countries that are not developed, more common in countries that are developed, or about the same)?

1. NOT DEVELOPED

2. DEVELOPED

3. ABOUT THE SAME

GO TO FORM'S NEXT SECTION

EXACT TIME NOW: _____

- BH1. Next, please think about what life is like in the country of India and compare it to what life is like here in the United States. Please tell me whether each of the following things is more common today in India, more common in the United States, or about the same.

First, how about married children living with their parents or in-laws -- is this more common in India, more common in the United States, or about the same?

1. MORE COMMON IN INDIA

2. MORE COMMON IN US

3. ABOUT THE SAME

- BH2. Females marrying before the age of eighteen -- is this more common in India, more common in the United States, or about the same?

1. MORE COMMON IN INDIA

2. MORE COMMON IN US

3. ABOUT THE SAME

- BH3. Family unity and loyalty (-- is this more common in India, more common in the United States, or about the same)?

1. MORE COMMON IN INDIA

2. MORE COMMON IN US

3. ABOUT THE SAME

- BH4. Personal freedom (-- is this more common in India, more common in the United States, or about the same)?

1. MORE COMMON IN INDIA

2. MORE COMMON IN US

3. ABOUT THE SAME

- BH5. Parental control over adult children (-- is this more common in India, more common in the United States, or about the same)?

1. MORE COMMON IN INDIA

2. MORE COMMON IN US

3. ABOUT THE SAME

- BH6. What about equality between women and men (-- is this more common in India, more common in the United States, or about the same)?

1. MORE COMMON IN INDIA

2. MORE COMMON IN US

3. ABOUT THE SAME

BH7. Women who never marry (-- are they more common in India, more common in the United States, or about the same)?

1. MORE COMMON IN INDIA

2. MORE COMMON IN US

3. ABOUT THE SAME

BH8. Men having more than one married wife at the same time (-- is this more common in India, more common in the United States, or about the same)?

1. MORE COMMON IN INDIA

2. MORE COMMON IN US

3. ABOUT THE SAME

BH9. Arranged marriages (-- are they more common in India, more common in the United States, or about the same)?

1. MORE COMMON IN INDIA

2. MORE COMMON IN US

3. ABOUT THE SAME

BH10. Couples having many children (-- are they more common in India, more common in the United States, or about the same)?

1. MORE COMMON IN INDIA

2. MORE COMMON IN US

3. ABOUT THE SAME

BH11. Marriages breaking up (-- are they more common in India, more common in the United States, or about the same)?

1. MORE COMMON IN INDIA

2. MORE COMMON IN US

3. ABOUT THE SAME

BH12. A high degree of respect for women in society (-- is this more common in India, more common in the United States, or about the same)?

1. MORE COMMON IN INDIA

2. MORE COMMON IN US

3. ABOUT THE SAME

BH13. Babies born to unmarried mothers (-- is this more common in India, more common in the United States, or about the same)?

1. MORE COMMON IN INDIA

2. MORE COMMON IN US

3. ABOUT THE SAME

BH14. Opposite sex couples living together without being married (-- is this more common in India, more common in the United States, or about the same)?

1. MORE COMMON IN INDIA

2. MORE COMMON IN US

3. ABOUT THE SAME

BH15. What about romantic love between a husband and wife (-- is this more common in India, more common in the United States, or about the same)?

1. MORE COMMON IN INDIA

2. MORE COMMON IN US

3. ABOUT THE SAME

BH16. People living in cities (-- is this more common in India, more common in the United States, or about the same)?

1. MORE COMMON IN INDIA

2. MORE COMMON IN US

3. ABOUT THE SAME

BH17. How about children dying before their first birthday (-- is this more common in India, more common in the United States, or about the same)?

1. MORE COMMON IN INDIA

2. MORE COMMON IN US

3. ABOUT THE SAME

BH18. High standard of living (-- is this more common in India, more common in the United States, or about the same)?

1. MORE COMMON IN INDIA

2. MORE COMMON IN US

3. ABOUT THE SAME

BH19. People working on farms (-- is this more common in India, more common in the United States, or about the same)?

1. MORE COMMON IN INDIA

2. MORE COMMON IN US

3. ABOUT THE SAME

BH20. Many people receiving education in schools (-- is this more common in India, more common in the United States, or about the same)?

1. MORE COMMON IN INDIA

2. MORE COMMON IN US

3. ABOUT THE SAME

GO TO FORM'S NEXT SECTION

EXACT TIME NOW: _____

BJ1. Next we would like you to think about income differences between the rich and poor people in countries around the world. This time we will use an income difference scale to rate countries. This scale is not the same as the development scale you used earlier. Countries that have the smallest difference in income between the rich and the poor are rated zero, and countries that have the largest difference in income between the rich and the poor are rated ten. You can use both of those numbers for rating income differences, plus all the numbers in between.

Using this income difference scale where zero equals the smallest income difference between rich and poor in a country and ten equals the largest income difference between rich and poor in a country, where would you put Nigeria?

[IF R ASKS YOU MAY INFORM: "Zero is the smallest income difference between rich and poor in a country; ten is the largest income difference between rich and poor in a country."]

_____ SCALE (0-10) 98. DON'T KNOW
GO TO BJ3 *
∇

BJ2. Even if you don't know exactly, about where would you put Nigeria?

[IF R ASKS YOU MAY INFORM: "Zero is the smallest income difference between rich and poor in a country; ten is the largest income difference between rich and poor in a country."]

_____ SCALE (0-10) 98. DON'T KNOW

BJ3. (Using this income difference scale where zero equals the smallest income difference between rich and poor in a country and ten equals the largest income difference between rich and poor in a country,) where would you put India?

[IF R ASKS YOU MAY INFORM: "Zero is the smallest income difference between rich and poor in a country; ten is the largest income difference between rich and poor in a country."]

GO TO BJ5 SCALE (0-10) 98. DON'T KNOW
 *
 ▼

BJ4. Even if you don't know exactly, about where would you put India?

[IF R ASKS YOU MAY INFORM: "Zero is the smallest income difference between rich and poor in a country; ten is the largest income difference between rich and poor in a country."]

 SCALE (0-10) 98. DON'T KNOW

BJ5. (Using this income difference scale where zero equals the smallest income difference between rich and poor in a country and ten equals the largest income difference between rich and poor in a country,) where would you put the United States?

[IF R ASKS YOU MAY INFORM: "Zero is the smallest income difference between rich and poor in a country; ten is the largest income difference between rich and poor in a country."]

GO TO BJ7 SCALE (0-10) 98. DON'T KNOW
 *
 ▼

BJ6. Even if you don't know exactly, about where would you put the United States?

[IF R ASKS YOU MAY INFORM: "Zero is the smallest income difference between rich and poor in a country; ten is the largest income difference between rich and poor in a country."]

 SCALE (0-10) 98. DON'T KNOW

BJ7. (Using this income difference scale where zero equals the smallest income difference between rich and poor in a country and ten equals the largest income difference between rich and poor in a country,) where would you put China?

[IF R ASKS YOU MAY INFORM: "Zero is the smallest income difference between rich and poor in a country; ten is the largest income difference between rich and poor in a country."]

GO TO BJ9 SCALE (0-10) 98. DON'T KNOW
 *
 †

BJ8. Even if you don't know exactly, about where would you put China?

[IF R ASKS YOU MAY INFORM: "Zero is the smallest income difference between rich and poor in a country; ten is the largest income difference between rich and poor in a country."]

 SCALE (0-10) 98. DON'T KNOW

BJ9. (IF FORM B, THEN READ: We really appreciate your effort so far and would like to take a moment to thank you for providing us with valuable information. Now let's continue with Sweden.)

(Using this income difference scale again where zero equals the smallest income difference between rich and poor in a country and ten equals the largest income difference between rich and poor in a country,) where would you put Sweden?

[IF R ASKS YOU MAY INFORM: "Zero is the smallest income difference between rich and poor in a country; ten is the largest income difference between rich and poor in a country."]

GO TO BJ11 SCALE (0-10) 98. DON'T KNOW
 *
 †

BJ10. Even if you don't know exactly, about where would you put Sweden?

[IF R ASKS YOU MAY INFORM: "Zero is the smallest income difference between rich and poor in a country; ten is the largest income difference between rich and poor in a country."]

 SCALE (0-10) 98. DON'T KNOW

BJ11. (Using this income difference scale where zero equals the smallest income difference between rich and poor in a country and ten equals the largest income difference between rich and poor in a country,) where would you put Brazil?

[IF R ASKS YOU MAY INFORM: "Zero is the smallest income difference between rich and poor in a country; ten is the largest income difference between rich and poor in a country."]

GO TO BJ13 SCALE (0-10) 98. DON'T KNOW
 *
 ▼

BJ12. Even if you don't know exactly, about where would you put Brazil?

[IF R ASKS YOU MAY INFORM: "Zero is the smallest income difference between rich and poor in a country; ten is the largest income difference between rich and poor in a country."]

 SCALE (0-10) 98. DON'T KNOW

BJ13. (Using this income difference scale where zero equals the smallest income difference between rich and poor in a country and ten equals the largest income difference between rich and poor in a country,) where would you put Pakistan?

[IF R ASKS YOU MAY INFORM: "Zero is the smallest income difference between rich and poor in a country; ten is the largest income difference between rich and poor in a country."]

GO TO FORM'S NEXT SECTION SCALE (0-10) 98. DON'T KNOW
 *
 ▼

BJ14. Even if you don't know exactly, about where would you put Pakistan?

[IF R ASKS YOU MAY INFORM: "Zero is the smallest income difference between rich and poor in a country; ten is the largest income difference between rich and poor in a country."]

 SCALE (0-10) 98. DON'T KNOW

GO TO NEXT SECTION

EXACT TIME NOW: _____

BK1. Next I am going to ask you some questions about family life today in two countries, the United States and Sweden.

The first question is about married couples. About what percent of married couples in the United States today live together before they get married?

_____ PERCENT 998. DON'T KNOW
GO TO BK3 *
 †

BK2. Even if you don't know for sure, what is your best estimate?

_____ PERCENT 998. DON'T KNOW

BK3. And what about Sweden? About what percent of married couples in Sweden today live together before they get married?

_____ PERCENT 998. DON'T KNOW
GO TO BK5 *
 †

BK4. Even if you don't know for sure, what is your best estimate?

_____ PERCENT 998. DON'T KNOW

BK5. These next questions will ask you to think about family life in the United States about twenty years from now. How likely do you think it will be that at least eighty percent of married couples will live together before they get married? Do you think this will be very likely, somewhat likely, somewhat unlikely, or very unlikely?

- | | | | |
|-------------------|-----------------------|-------------------------|---------------------|
| 1. VERY
LIKELY | 2. SOMEWHAT
LIKELY | 3. SOMEWHAT
UNLIKELY | 4. VERY
UNLIKELY |
|-------------------|-----------------------|-------------------------|---------------------|

BK6. Suppose that, about twenty years from now, at least eighty percent of married couples lived together before they got married. Would you strongly approve, approve, disapprove, or strongly disapprove?

- | | | | | |
|------------------------|------------|--------------------------------------|---------------|---------------------------|
| 1. STRONGLY
APPROVE | 2. APPROVE | 3. NEITHER APPROVE
NOR DISAPPROVE | 4. DISAPPROVE | 5. STRONGLY
DISAPPROVE |
|------------------------|------------|--------------------------------------|---------------|---------------------------|

BK7. Next, what would you say is the average age at first marriage for women in the United States today?

_____ AVERAGE AGE 98. DON'T KNOW

GO TO BK9 *
▽

BK8. Even if you don't know for sure, what is your best estimate?

_____ AVERAGE AGE 98. DON'T KNOW

BK9. And what about Sweden? What would you say is the average age at first marriage for women in Sweden today?

_____ AVERAGE AGE 98. DON'T KNOW

GO TO BK11 *
▽

BK10. Even if you don't know for sure, what is your best estimate?

_____ AVERAGE AGE 98. DON'T KNOW

BK11. In the United States about twenty years from now, how likely do you think it will be that the average age at first marriage for women will be at least thirty-five years old? Do you think this will be very likely, somewhat likely, somewhat unlikely, or very unlikely?

1. VERY LIKELY	2. SOMEWHAT LIKELY	3. SOMEWHAT UNLIKELY	4. VERY UNLIKELY
-------------------	-----------------------	-------------------------	---------------------

BK12. Suppose that, about twenty years from now, the average age at first marriage for women was at least thirty-five years old. Would you strongly approve, approve, disapprove, or strongly disapprove?

1. STRONGLY APPROVE	2. APPROVE	3. NEITHER APPROVE NOR DISAPPROVE	4. DISAPPROVE	5. STRONGLY DISAPPROVE
------------------------	------------	--------------------------------------	---------------	---------------------------

BK13. Next let's talk about babies. About what percent of babies born in the United States today are born to mothers who are not married?

_____ PERCENT 998. DON'T KNOW

GO TO BK15 *
∇

BK14. Even if you don't know for sure, what is your best estimate?

_____ PERCENT 998. DON'T KNOW

BK15. And what about Sweden? (About what percent of babies in Sweden today are born to mothers who are not married?)

_____ PERCENT 998. DON'T KNOW

GO TO BK17 *
∇

BK16. Even if you don't know for sure, what is your best estimate?

_____ PERCENT 998. DON'T KNOW

BK17. In the United States about twenty years from now, how likely do you think it will be that at least sixty percent of babies will be born to women who are not married? Do you think this will be very likely, somewhat likely, somewhat unlikely, or very unlikely?

1. VERY LIKELY	2. SOMEWHAT LIKELY	3. SOMEWHAT UNLIKELY	4. VERY UNLIKELY
-------------------	-----------------------	-------------------------	---------------------

BK18. Suppose that, about twenty years from now, at least sixty percent of babies are born to women who are not married. Would you strongly approve, approve, disapprove, or strongly disapprove?

1. STRONGLY APPROVE	2. APPROVE	3. NEITHER APPROVE NOR DISAPPROVE	4. DISAPPROVE	5. STRONGLY DISAPPROVE
------------------------	------------	--------------------------------------	---------------	---------------------------

BK19. The next topic is divorce. About what percent of marriages in the United States today end in divorce?

_____ PERCENT 998. DON'T KNOW
GO TO BK21 *
 ▼

BK20. Even if you don't know for sure, what is your best estimate?

_____ PERCENT 998. DON'T KNOW

BK21. And what about Sweden? (About what percent of marriages in Sweden today end in divorce?)

_____ PERCENT 998. DON'T KNOW
GO TO BK23 *
 ▼

BK22. Even if you don't know for sure, what is your best estimate?

_____ PERCENT 998. DON'T KNOW

BK23. In the United States about twenty years from now, how likely do you think it will be that at least seventy-five percent of marriages will end in divorce? Do you think this will be very likely, somewhat likely, somewhat unlikely, or very unlikely?

1. VERY LIKELY	2. SOMEWHAT LIKELY	3. SOMEWHAT UNLIKELY	4. VERY UNLIKELY
-------------------	-----------------------	-------------------------	---------------------

BK24. Suppose that, about twenty years from now, at least seventy-five percent of marriages end in divorce. Would you strongly approve, approve, disapprove, or strongly disapprove?

1. STRONGLY APPROVE	2. APPROVE	3. NEITHER APPROVE NOR DISAPPROVE	4. DISAPPROVE	5. STRONGLY DISAPPROVE
------------------------	------------	--------------------------------------	---------------	---------------------------

BK25. Next, on average, about how many children are born per woman in the United States today?

_____ AVERAGE NUMBER OF CHILDREN 98. DON'T KNOW

GO TO BK27 *
∇

BK26. Even if you don't know for sure, what is your best estimate?

_____ AVERAGE NUMBER OF CHILDREN 98. DON'T KNOW

BK27. And what about Sweden? (On average, about how many children are born per woman in Sweden today?)

_____ AVERAGE NUMBER OF CHILDREN 98. DON'T KNOW

GO TO BK29 *
∇

BK28. Even if you don't know for sure, what is your best estimate?

_____ AVERAGE NUMBER OF CHILDREN 98. DON'T KNOW

BK29. In the United States about twenty years from now, how likely do you think it will be that at least seventy-five percent of women will give birth to just one child or even choose to have no children? Do you think this will be very likely, somewhat likely, somewhat unlikely, or very unlikely?

1. VERY LIKELY	2. SOMEWHAT LIKELY	3. SOMEWHAT UNLIKELY	4. VERY UNLIKELY
-------------------	-----------------------	-------------------------	---------------------

BK30. Suppose that, about twenty years from now, at least seventy-five percent of women gave birth to just one child or even chose to have no children. Would you strongly approve, approve, disapprove, or strongly disapprove?

1. STRONGLY APPROVE	2. APPROVE	3. NEITHER APPROVE NOR DISAPPROVE	4. DISAPPROVE	5. STRONGLY DISAPPROVE
------------------------	------------	--------------------------------------	---------------	---------------------------

BK31. Next, how interested are you in facts about other countries? Are you very interested, somewhat interested, hardly interested, or not at all interested?

1. VERY
INTERESTED

2. SOMEWHAT
INTERESTED

3. HARDLY
INTERESTED

4. NOT AT ALL
INTERESTED

GO TO NEXT SECTION

BLANK PAGE

60

E2_0. INTERVIEWER CHECKPOINT:

<input type="checkbox"/>	1. IF RECON AND BIRTHDATE NOT MISSING---> GO TO E2_1	
*		
*	<input type="checkbox"/>	2. IF RDD OR RECON WITH MISSING BIRTHDATE---> GO TO E2
*		

*
▽

E2_1. Our records show you were born in [birth month] [birth year].
Is this correct?

1. YES
GO TO E3_0

5. NO



E2. What is the month and year of your birth?

_____/_____
MONTH YEAR

E3_0. INTERVIEWER CHECKPOINT:

<input type="checkbox"/>	1. IF RECON AND MARITAL STATUS NOT MISSING---> GO TO E3_1	
*		
*	<input type="checkbox"/>	2. IF RDD OR RECON WITH MISSING MARITAL STATUS---> GO TO E3
*		

*
▽

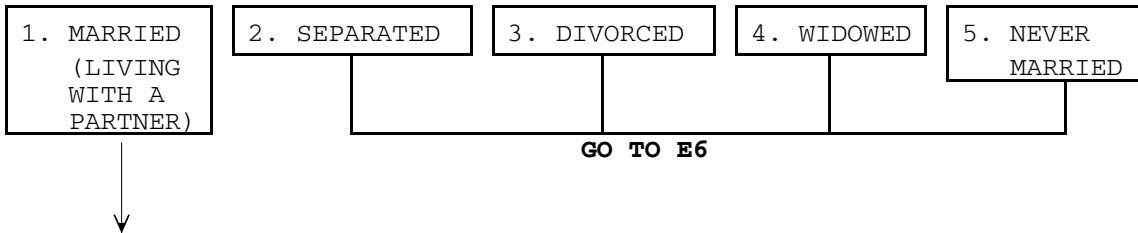
E3_1. Our records show that you (are married/are living with a partner/are separated/are divorced/are widowed/have never been married, but your spouse is absent). Is this correct?

1. YES
GO TO E4_0

5. NO



E3. Are you currently married, (living with a partner), separated, divorced, widowed, or have you never been married?



E5_0. INTERVIEWER CHECKPOINT:

<input type="checkbox"/>	1. IF RECON WITH SPOUSE BIRTHDATE NOT MISSING---> GO TO E5_1
*	
*	<input type="checkbox"/> 2. IF RDD OR RECON WITH MISSING SPOUSE BIRTHDATE ---> GO TO E5
*	
*	

*

E5_1. Our records show your (husband/wife/partner/spouse) was born in [birth month] [birth year]. Is this correct?

1. YES
GO TO E6_0

5. NO



E5. What is the month and year of (his/her) birth?

_____ / _____
 MONTH YEAR

E6_0. INTERVIEWER CHECKPOINT:

<input type="checkbox"/>	1. IF RECON AND NUMBER OF KIDS NOT MISSING---> GO TO E6_1
*	
*	<input type="checkbox"/> 2. IF RDD OR RECON WITH NUMBER OF KIDS MISSING---> GO TO E6
*	
*	

*

E6_1. Six months ago you said there (were no children/was one child/were [number] children) 17 years old or younger in your household. Is this still correct?

1. YES
GO TO E7

5. NO



E6. How many members of your household are 17 years of age or younger?

_____ # 17 OR YOUNGER

96. NONE

E9. Do all of the telephones in your home have the same number, or do you have more than one telephone number in your home?

1. ALL PHONES HAVE
SAME NUMBER

GO TO E10

5. MORE THAN ONE
PHONE NUMBER



E9a. Not counting cell phones, how many different telephone numbers are there in your home?

[IWER: DO NOT INCLUDE CELL PHONES.]

02. TWO PHONE
NUMBERS

03. THREE PHONE
NUMBERS

04. FOUR PHONE
NUMBERS

_____ # PHONE
NUMBERS

E9b. How many of these telephone numbers are for business use only?

96. NONE

01. ONE NUMBER

02. TWO NUMBERS

_____ # PHONE
NUMBERS

EXACT TIME NOW: _____

E10. And now I want to ask you about your religious preference -- that is, are you Protestant, Catholic, Jewish, Muslim, or something else?

1. PROTESTANT	2. CATHOLIC	3. JEWISH	4. MUSLIM	96. NO PREFERENCE
---------------	-------------	-----------	-----------	-------------------

*
*
∇
GO TO E11

.))))))))))))))2))))))))))))))2)))))))))))))))))))-
GO TO E12

97. OTHER (SPECIFY): _____

GO TO E12

E11. What specific Protestant denomination do you consider yourself to be, if any?

1. BAPTIST	2. METHODIST	3. LUTHERAN	4. PRESBYTERIAN	5. EPISCOPAL	6. PENTECOSTAL
------------	--------------	-------------	-----------------	--------------	----------------

7. UNITED CHURCH OF CHRIST	96. NO DENOMINATION GIVEN	97. OTHER (SPECIFY): _____ _____
----------------------------	---------------------------	-------------------------------------

E12. How often do you usually attend religious services? Would you say never, maybe once a year, a few times a year, once a month, a few times a month, once a week, or more than once a week?

1. NEVER	2. MAYBE ONCE A YEAR	3. A FEW TIMES A YEAR	4. ONCE A MONTH	5. A FEW TIMES A MONTH	6. ONCE A WEEK	7. MORE THAN ONCE A WEEK
----------	----------------------	-----------------------	-----------------	------------------------	----------------	--------------------------

E13. Quite apart from attending religious services, how important would you say religion is to you -- very important, somewhat important, hardly important, or not at all important?

1. VERY IMPORTANT	2. SOMEWHAT IMPORTANT	3. HARDLY IMPORTANT	4. NOT AT ALL IMPORTANT
-------------------	-----------------------	---------------------	-------------------------

BLANK PAGE

SECTION F: FEELINGS, CHARITY, AND NEWS

F1. Now think about the past week and the feelings you have experienced. Please tell me if each of the following statements was true for you much of the time during the past week.

First, much of the time during the past week, you were happy. Would you say yes or no?

 1. YES

 5. NO

F2. (Much of the time during the past week,) you felt depressed.
(Would you say yes or no?)

 1. YES

 5. NO

F3. (Much of the time during the past week,) you enjoyed life.
(Would you say yes or no?)

 1. YES

 5. NO

F4. (Much of the time during the past week,) you felt sad.
(Would you say yes or no?)

 1. YES

 5. NO

F4a. **INTERVIEWER CHECKPOINT:**

 1. RECON

*

*

*

*

*

▽

 2. RDD ----> **GO TO NEXT SECTION**

F5. Please think of the most important news you have received about your own personal life or career in the past week. On a scale from minus ten (-10) to plus ten (+10), where minus ten means extremely bad news and plus ten means extremely good news, how would you rate that personal news?

_____ SCALE (-10 to +10)

 98. DON'T KNOW

F7. Now we have a general question, which is not about the past week. Suppose you became aware of a well-run charity that gave financial help to people who typically had about one-fifth of the income that you (and your (husband/wife/partner)) have. Would you be willing to give five percent of your income per month to that charity if you knew the money would go directly to benefit these people?

 1. YES

 5. NO

*

∇

GO TO F9

F8. Suppose the charity gave financial help to people who typically had about one-half of the income that you (and your (husband/wife/partner)) have. Would you be willing to give five percent of your income per month to that charity if you knew the money would go directly to benefit these people?

 1. YES

 5. NO

GO TO F10

F9. Suppose the charity gave financial help to people who typically had about one-twentieth of the income that you (and your (husband/wife/partner)) have. Would you be willing to give five percent of your income per month to that charity if you knew the money would go directly to benefit these people?

 1. YES

 5. NO

F10. Now we have another question about the recent past. Did you watch television news yesterday?

 1. YES

 5. NO

F11. What about the day before (did you watch television news)?

 1. YES

 5. NO

SECTION R: RAND

R1. Do you use e-mail or the Internet?

 1. YES

 5. NO

R1a. **INTERVIEWER CHECKPOINT:**

 1. RDD --> **GO TO SECTION Z**
 2. RECON AND R IS 40 YEARS OLD OR OLDER --> **GO TO R2**
 3. RECON AND R IS 18-39 YEARS OLD --> **GO TO SECTION Z**

R2. We are carrying out a new study with RAND, a research organization that is working with us. The study is concerned with how interviews conducted over the Internet may differ from telephone interviews. We would like your permission to allow RAND to contact you for the new study. This is completely voluntary. When they contact you, you can then decide if you wish to participate or not. If you do choose to participate, RAND will pay you \$20.

Is it okay for us to give RAND your name, address, telephone number, and e-mail address, if you have one, along with your gender, age, education, income, race or ethnicity, and marital status so they can contact you? All your information will remain confidential.

 1. YES

 5. NO

GO TO SECTION Z



R2a. **INTERVIEWER CHECKPOINT:**

 1. IF R1 MARKED "NO" --> **GO TO SECTION Z**
 2. IF R1 AND R2 BOTH MARKED "YES" --> **GO TO R3**

R3. RAND may want to contact you by e-mail. May I have your e-mail address, if you have one?

1. HAVE E-MAIL ADDRESS

5. DO NOT HAVE E-MAIL ADDRESS

9. PREFER NOT TO PROVIDE E-MAIL ADDRESS (IF VOL.)

.))))))))))))))))))))))))))-
GO TO SECTION Z



R3a. INTERVIEWER: RECORD E-MAIL ADDRESS AND READ BACK CAREFULLY TO VERIFY SPELLING.

E-MAIL ADDRESS: _____

R4. YOU MUST VERIFY AND/OR UPDATE RESPONDENT NAME AND ADDRESS AS NECESSARY.

NAME AND ADDRESS: _____

SECTION Z

INTERVIEWER: COPY FROM THE COVERSHEET
COMPLETE FOR BOTH RDD INTERVIEWS AND REINTERVIEWS

Z1. The sex, age, and relationship to the respondent of each of the other members of the household who are 18 years of age or older.

(a) LIST BY RELATIONSHIP TO RESPONDENT	(b) SEX	(c) AGE
RESPONDENT		

Z2. Number of calls from coversheet: _____ NUMBER

Z3. Initial refusal on coversheet: 1. YES 5. NO

Z4. Sex of the respondent: 1. MALE 2. FEMALE

Z5. Questions asked about: 1. R ONLY 2. R AND FAMILY

Z6. Interview conducted in: 1. ENGLISH 2. SPANISH

Z7. Was the respondent's understanding of the questions:
 1. EXCELLENT 2. GOOD 3. FAIR 4. POOR

Z8. In general, what was the respondent's attitude toward the interview:
 1. FRIENDLY & INTERESTED 2. COOPERATIVE BUT NOT PARTICULARLY INTERESTED 3. IMPATIENT 4. HOSTILE